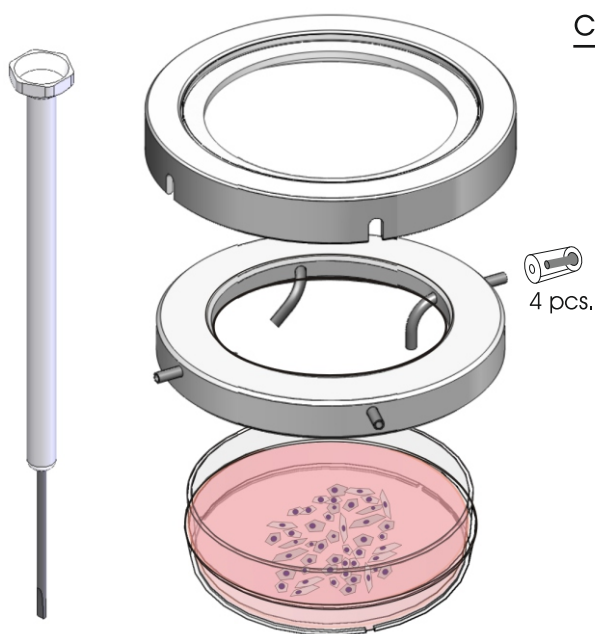


Dual-Perfusion-Set for “35” Petri dishes # 500-800516

Dual-Perfusion-Set for 35 mm Petri dishes

consisting of:

cover with glass insert, # 001367; perfusion ring, # 502793;
2 canal tube inlets, # 501584; 2 canal tube outlets, # 501585;
grub screws, # 900093; 1 Set silicone caps (4 pcs.), # 503092;
screwdriver # 900405



cover with glass insert

perfusion ring

Petri dish “35”

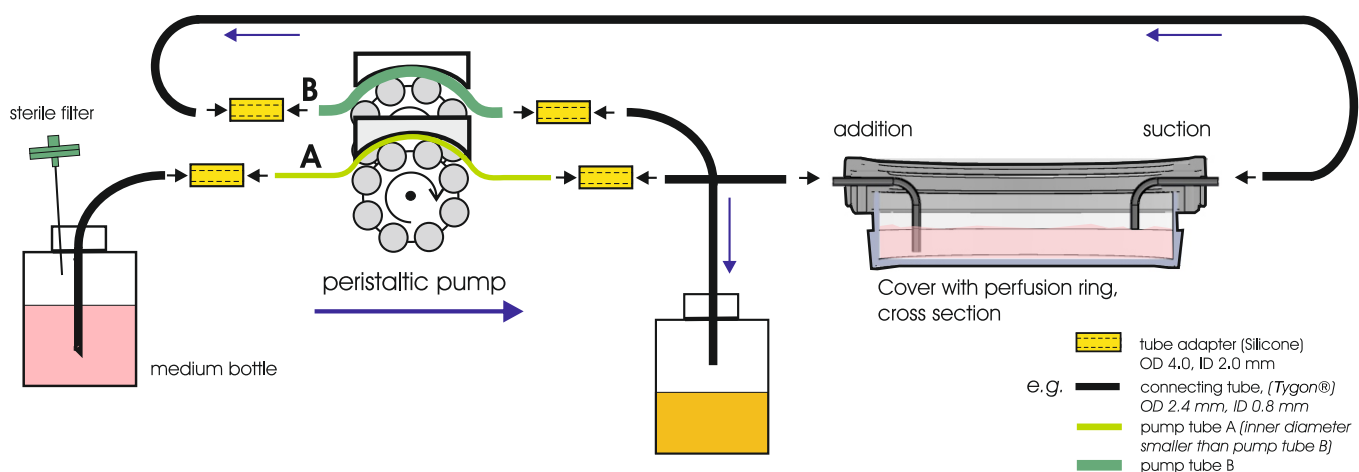
- stainless steel V4A
- sterilizable
- glass insert
- cut-outs for the canal tubes

- stainless steel
- sterilizable
- lateral openings for the canal tubes
- screws for the fixation of the canal tubes
- silicone caps to seal the canal tubes

- By different manufacturers with an outer diameter of 31.7 - 37.6 mm

Scheme of an “open perfusion”

assembly and procedure of the perfusion

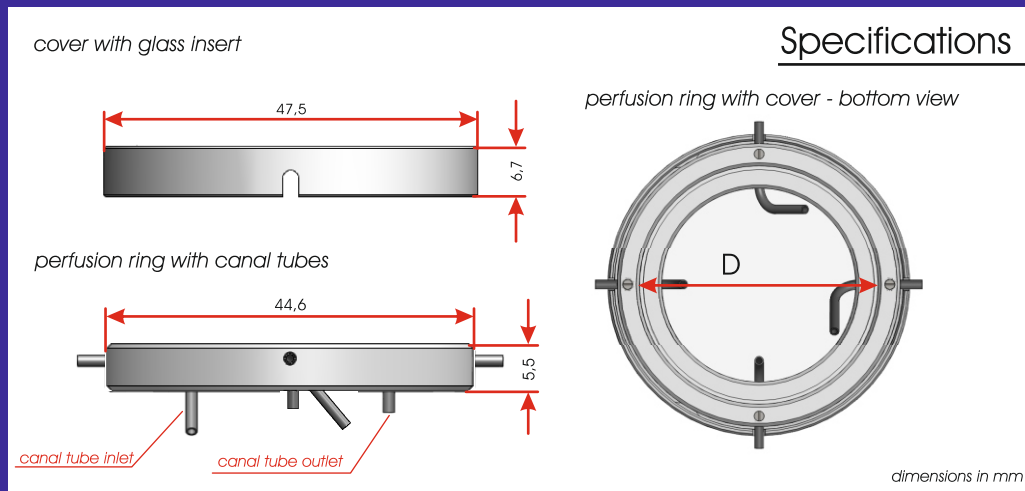


This Perfusion-Set is compatible with a large variety of “35” Petri dishes.

Please do not hesitate to contact us regarding a cover with perfusion adapter for other Petri dishes!

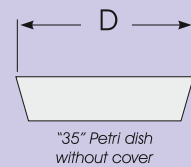
Dual-Perfusion-Set for “35” Petri dishes

500-800516



Specifications

- For the use with “35” Petri dishes with an outer diameter of 32.8 mm up to 34.5 mm.



- Set the sterilized perfusion ring onto the Petri dish “35”.
- Set the cover with the glass insert onto the perfusion ring.
- Plug the Tygon[®] tubes onto the canal tubes.



- Petri dish “35” with perfusion ring and cover inserted into the Heating Insert P 2000

This Perfusion-Set is compatible to a large variety “35” Petri dishes.

Please do not hesitate to contact us regarding a cover with perfusion adapter for other Petri dishes!